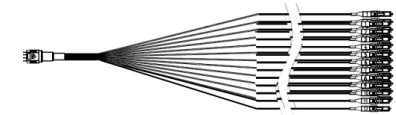
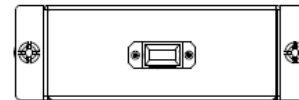
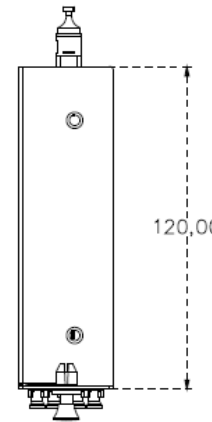
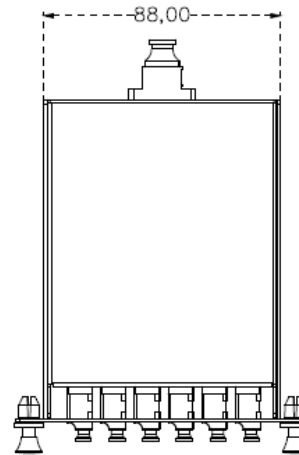
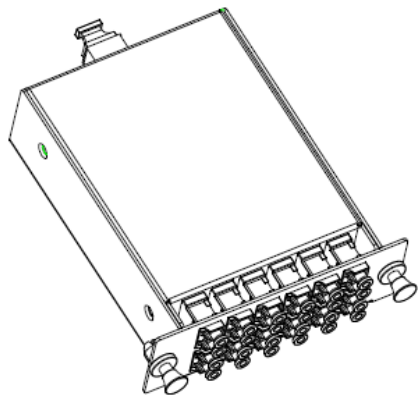
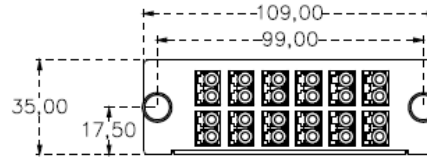


NOTE: UNLESS OTHERWISE SPECIFIED ALL MATERIALS ARE ROHS COMPLIANT.



REV	ECR	DESCRIPTION	BY	DATE	CHECKED
A	-	INITIAL RELEASE	T.D.	04/30/2026	T.D.



EXAMPLE OF 1 X 12 MPO FANOUT  
(WILL BE PRE-INSTALLED INTO CASSETTE)

**FIBER TYPE:**

MULTIMODE OM4 - 50/125  
SINGLEMODE OS2 - 9/125

**FIBER COUNT:**

24 FIBER - 1 X 24 MPO to 24LC

**CONNECTORS:**

MPO MALE (PINNED) & LC

**POLISH:**

MULTIMODE MPO - FLAT (INDUSTRY STANDARD)  
MULTIMODE LC - UPC (INDUSTRY STANDARD)  
SINGLEMODE MPO - APC (INDUSTRY STANDARD)  
SINGLEMODE LC - UPC (INDUSTRY STANDARD)

**POLARITY:**

METHOD A (STRAIGHT THROUGH)

**CHASSIS TYPE:**

UHD (ULTRA HIGH DENSITY)

**TESTING**

**SINGLEMODE:**

TYPICAL INSERTION LOSS MPO SIDE: 0.35dB Max (0.15dB Typ.)  
TYPICAL RETURN LOSS MPO SIDE: ≥65dB  
TYPICAL INSERTION LOSS LC SIDE: ≤0.2dB  
TYPICAL RETURN LOSS LC SIDE: ≥ 55dB

**MULTIMODE:**

TYPICAL INSERTION LOSS MPO SIDE: 0.35dB Max (0.20dB Typ.)  
TYPICAL RETURN LOSS MPO SIDE: ≥35dB  
TYPICAL INSERTION LOSS LC SIDE: ≤0.20dB  
TYPICAL RETURN LOSS LC SIDE: ≥ 35dB

\*TEST REPORT INCLUDED WITH EACH CASSETTE

**TECHNICAL REQUIREMENTS**

1. Material: 1.2mm cold-rolled steel sheet
2. Surface finish: Smooth, no burrs, scratches, or sharp edges
3. Finish color: Black fine-texture coating
4. Unspecified chamfer: 0.3 × 45°
5. Unspecified tolerances: ±0.3

DRAWN BY:	T. D.	04/30/2026	<b>PRODUCT TITLE</b>
APVD BY:	J. P.	04/30/2026	MPO 24 Fiber (1 X 24 MPO Male) to 24 LC (12 Duplex Adapters) Ultra High Density (UHD) Cassette by QuickTrex®
UNIT: mm			SKU: QT-MPO-C-UHD-XX-24X1-12LC
<small>PROPRIETARY AND CONFIDENTIAL THIS DOCUMENT CONTAINS PROPRIETARY INFORMATION OF LANSBACK. NOT TO BE USED, COPIED, OR DISCLOSED WITHOUT WRITTEN PERMISSION. ALL RIGHTS RESERVED.</small>			SIZE A
			REV A
SCALE: NOT TO SCALE			SHEET 1 OF 1